

Table with multiple columns containing safety warnings and instructions in various languages (English, Spanish, French, German, Italian, etc.).

Table with multiple columns containing detailed instructions and warnings in various languages, including diagrams of the device.

Table with multiple columns containing instructions and warnings in various languages, including diagrams of the device.

Table with multiple columns containing instructions and warnings in various languages, including diagrams of the device.

Table with multiple columns containing instructions and warnings in various languages, including diagrams of the device.

Table with multiple columns containing instructions and warnings in various languages, including diagrams of the device.

Table with multiple columns containing instructions and warnings in various languages, including diagrams of the device.

Table with multiple columns containing instructions and warnings in various languages, including diagrams of the device.

Table with multiple columns containing instructions and warnings in various languages, including diagrams of the device.

Table with multiple columns containing instructions and warnings in various languages, including diagrams of the device.

Table with multiple columns containing instructions and warnings in various languages, including diagrams of the device.

Table with multiple columns containing instructions and warnings in various languages, including diagrams of the device.

Table with multiple columns containing instructions and warnings in various languages, including diagrams of the device.

Table with multiple columns containing instructions and warnings in various languages, including diagrams of the device.

Table with multiple columns containing instructions and warnings in various languages, including diagrams of the device.

Table with multiple columns containing instructions and warnings in various languages, including diagrams of the device.

Table with multiple columns containing instructions and warnings in various languages, including diagrams of the device.

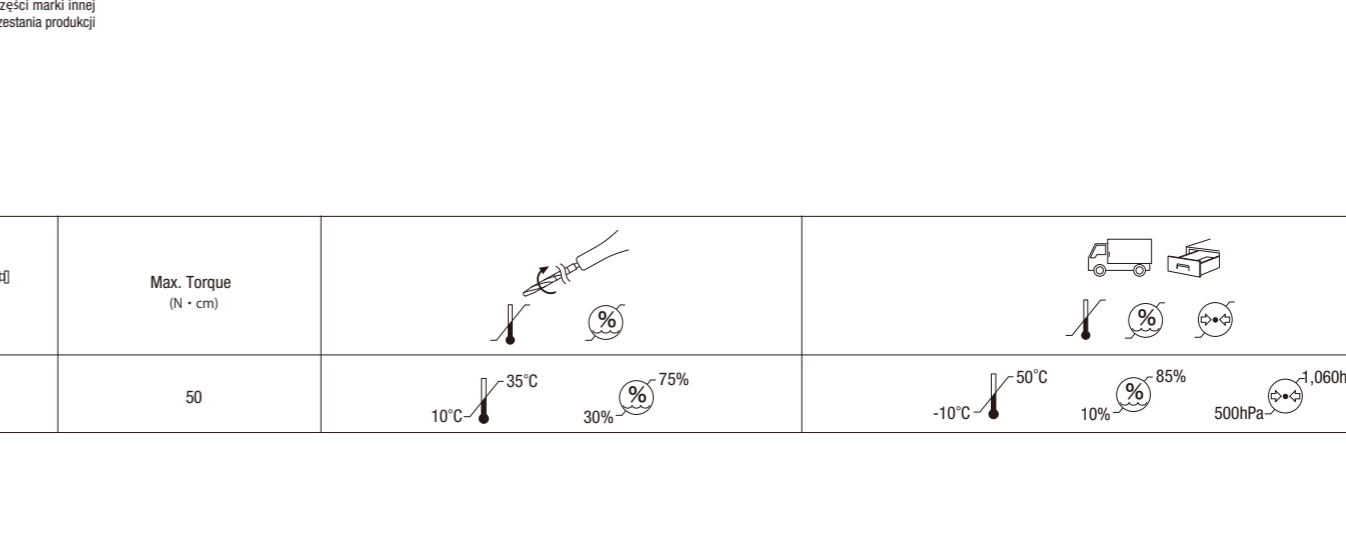
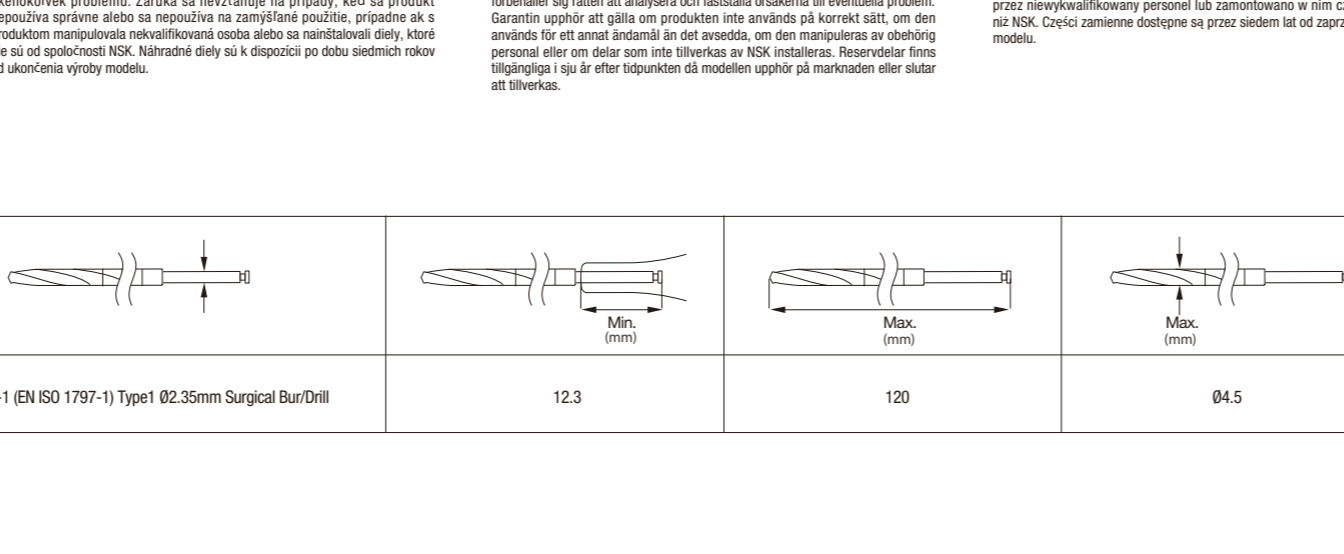
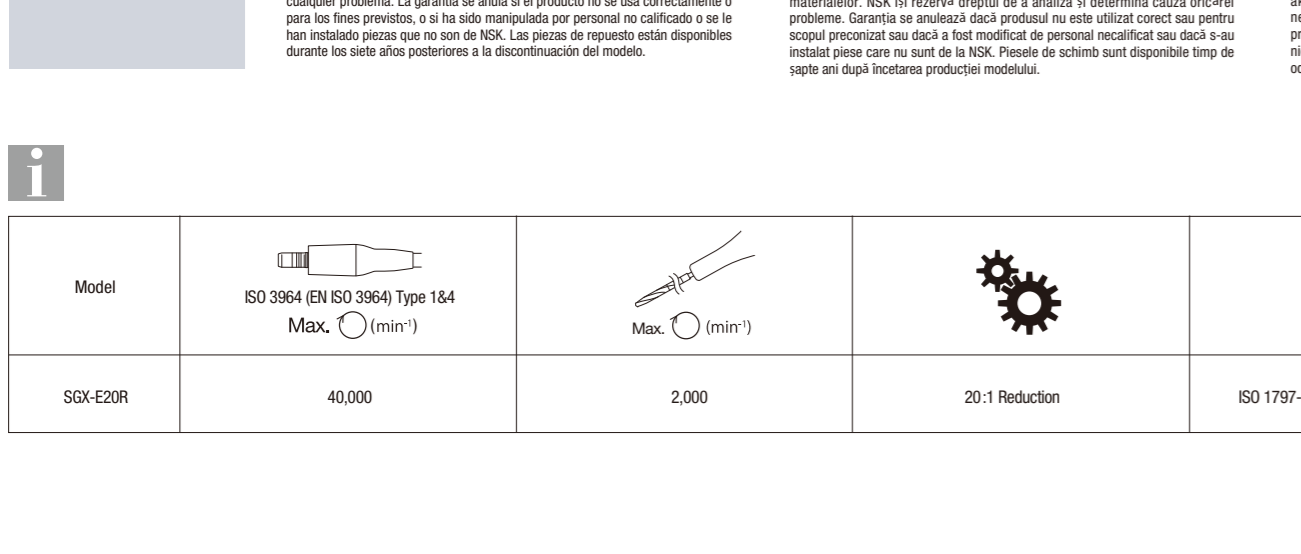
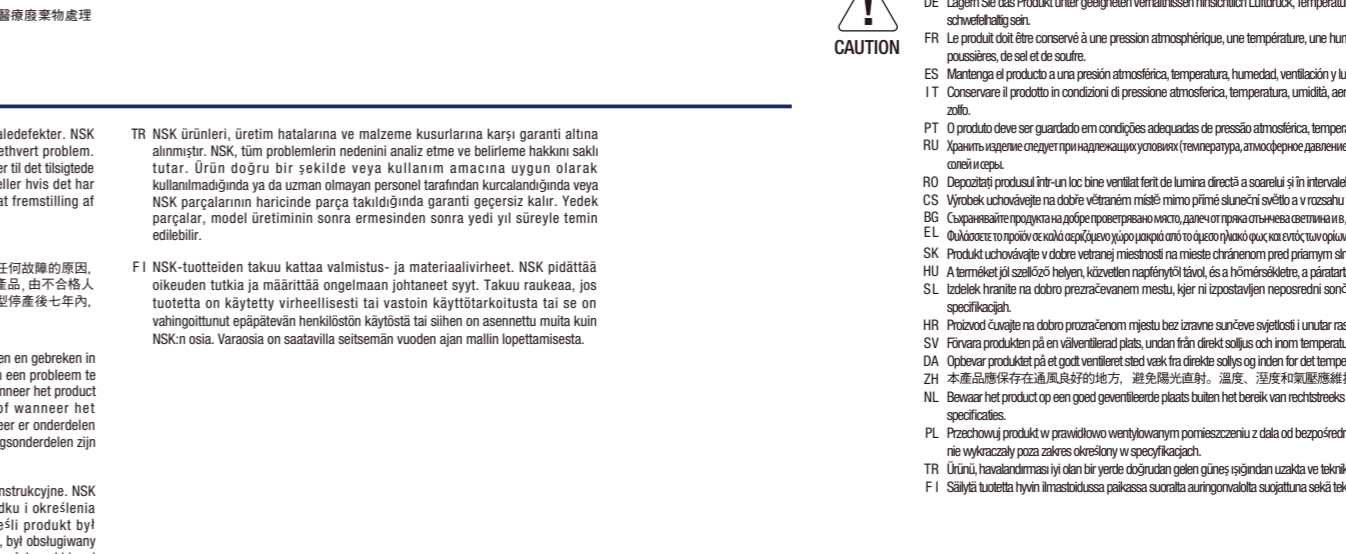
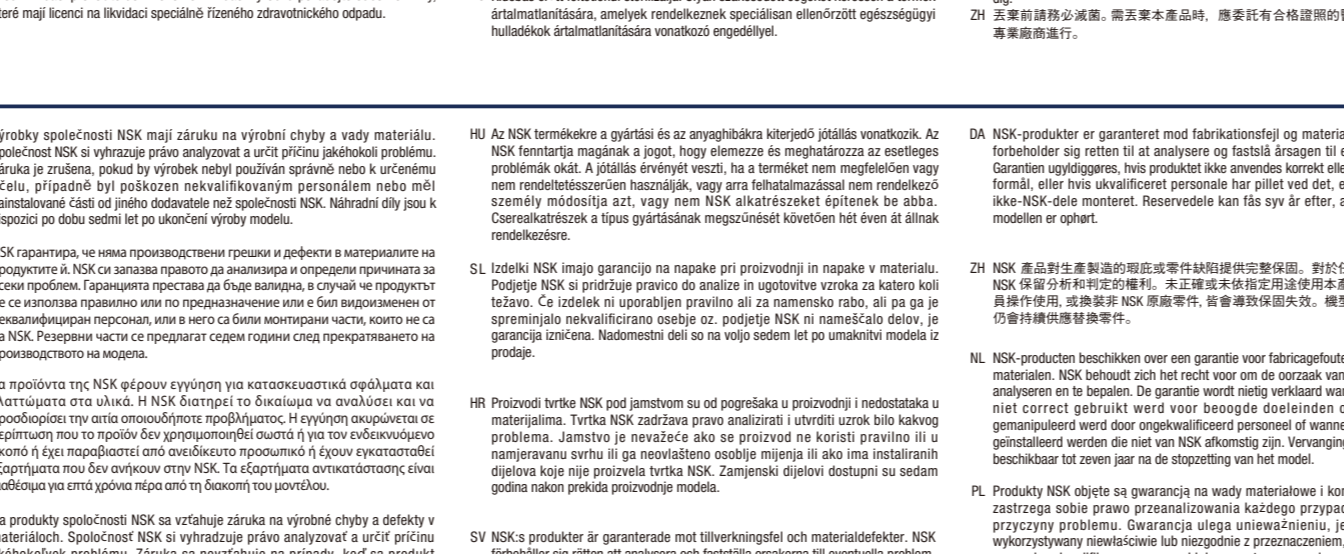
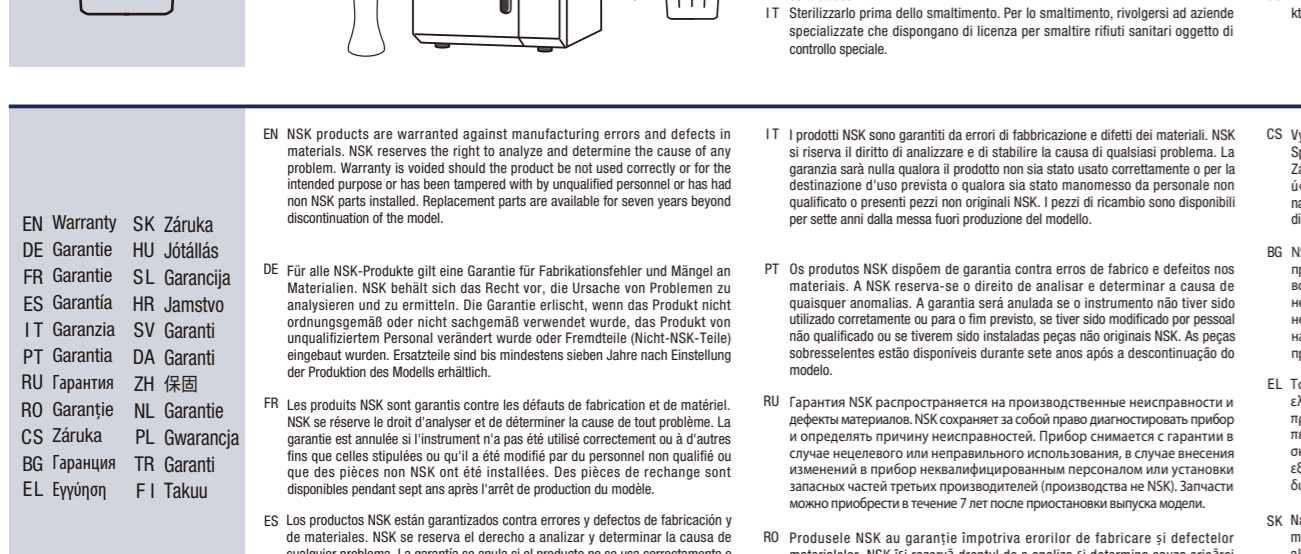
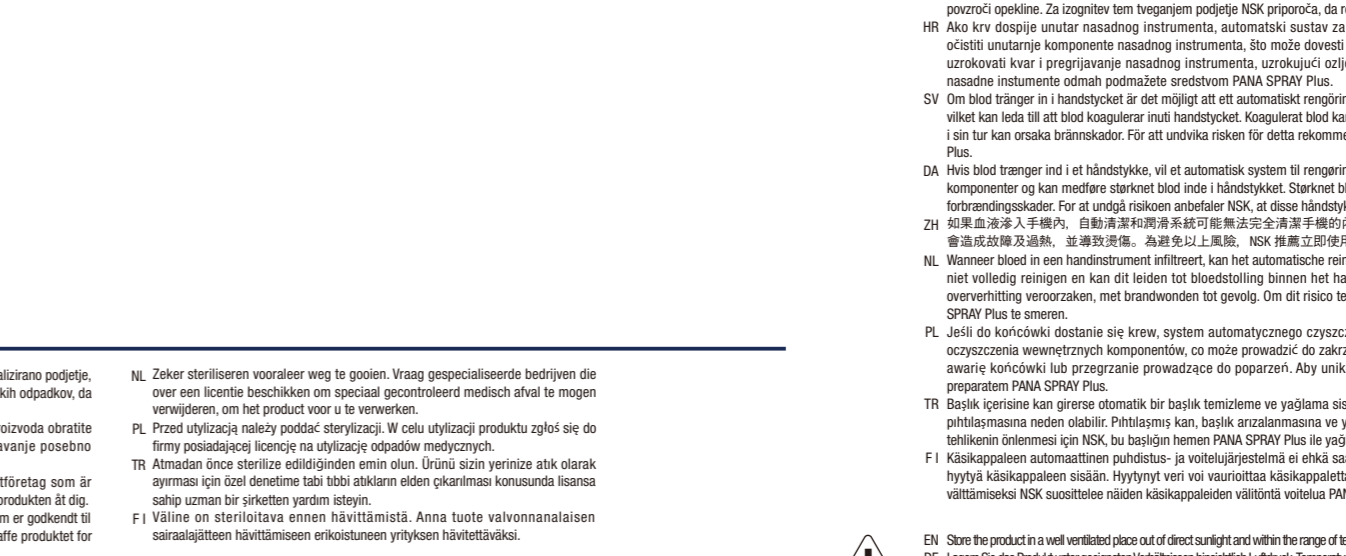
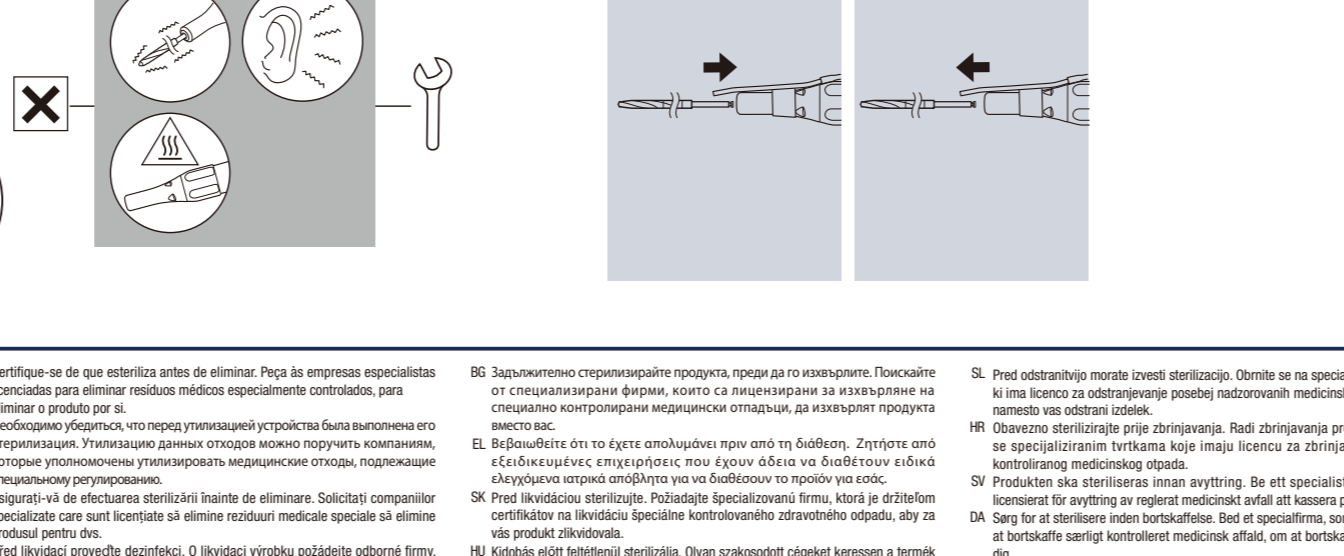
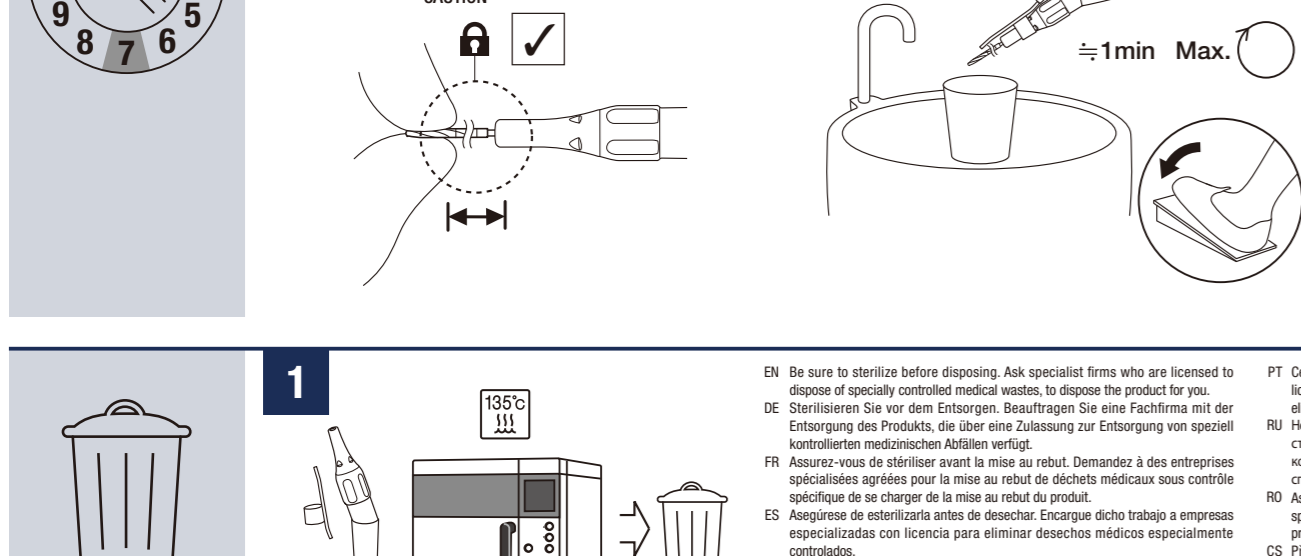
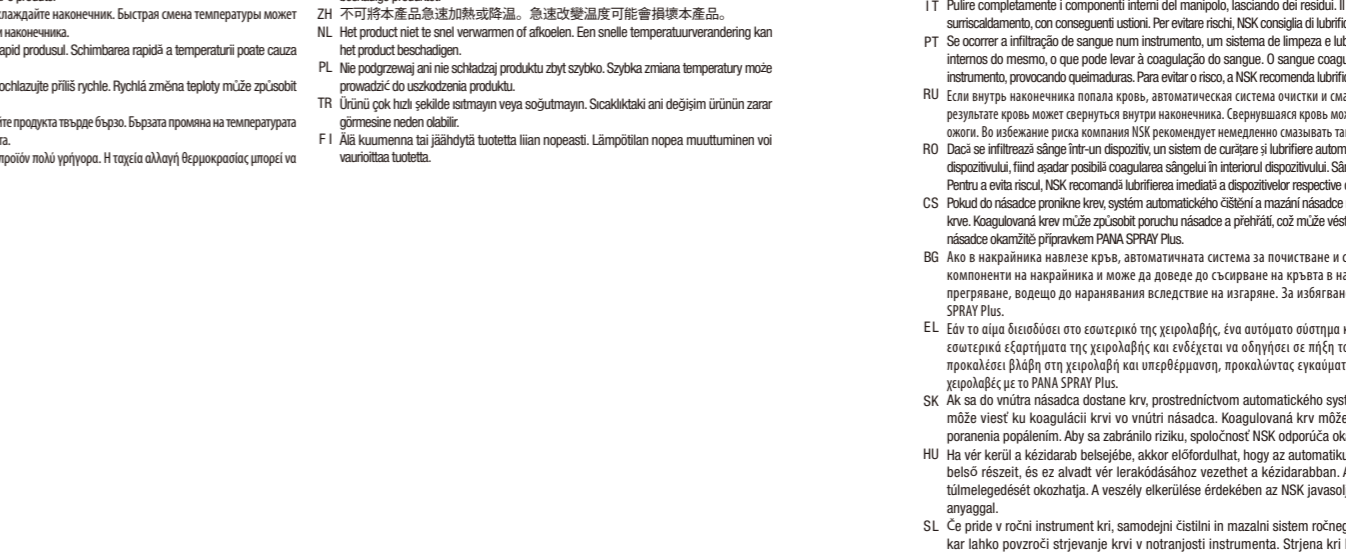
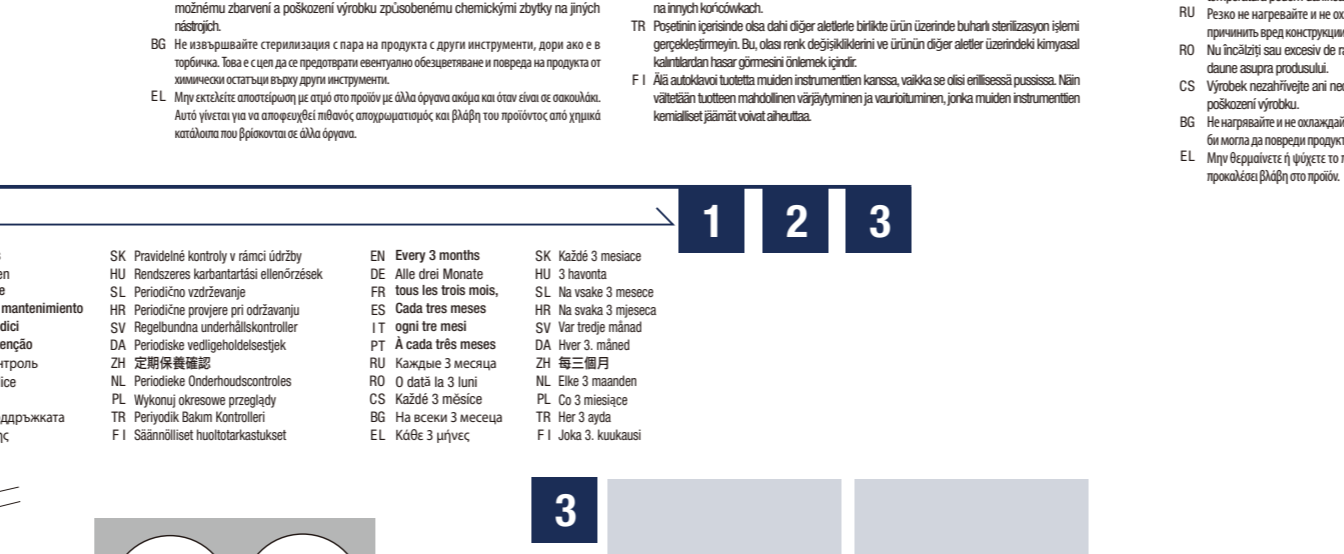
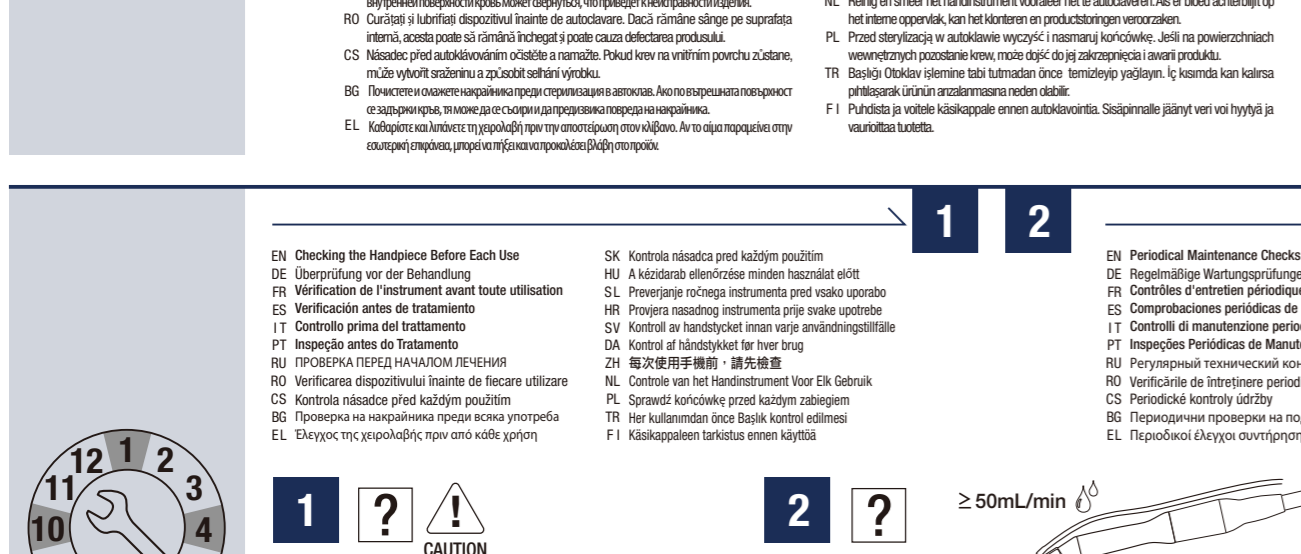
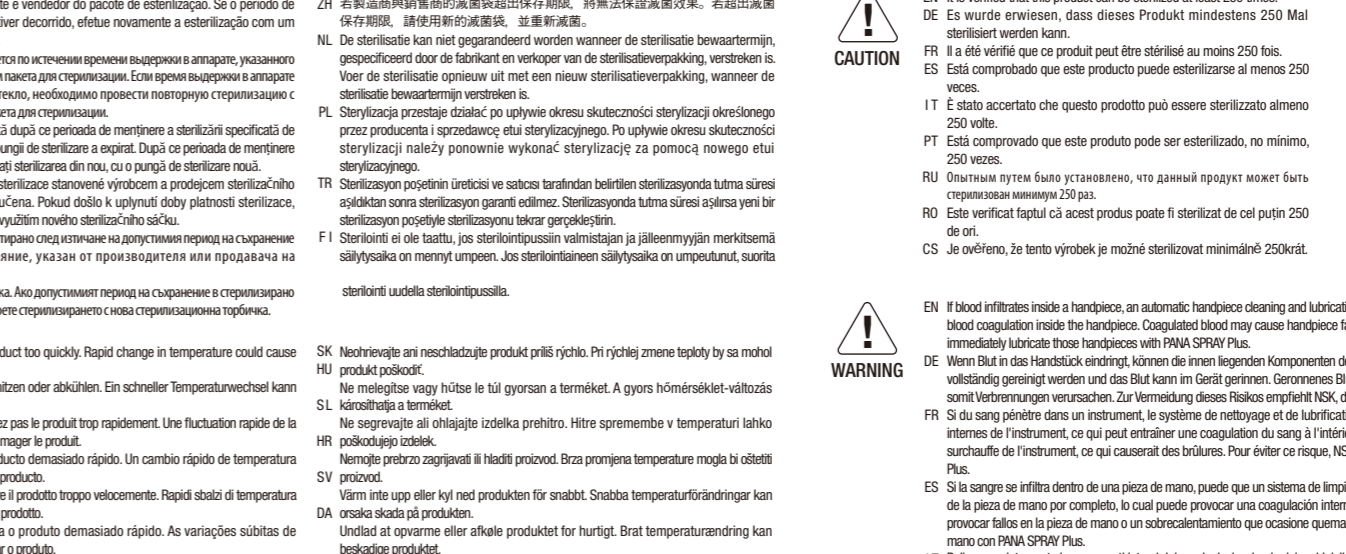
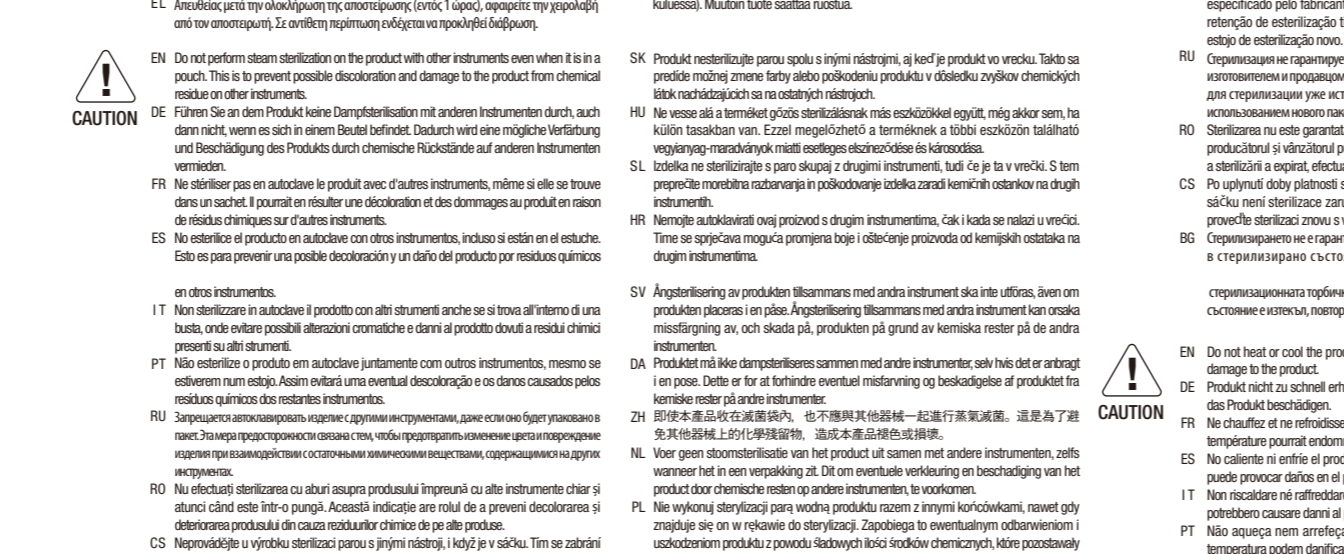
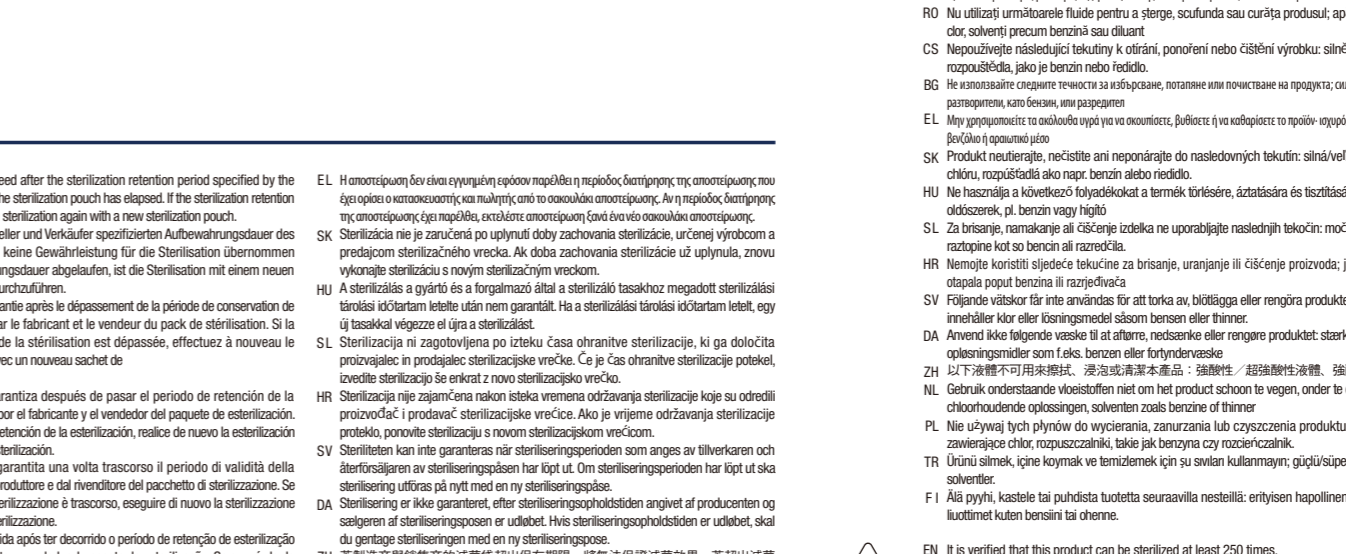
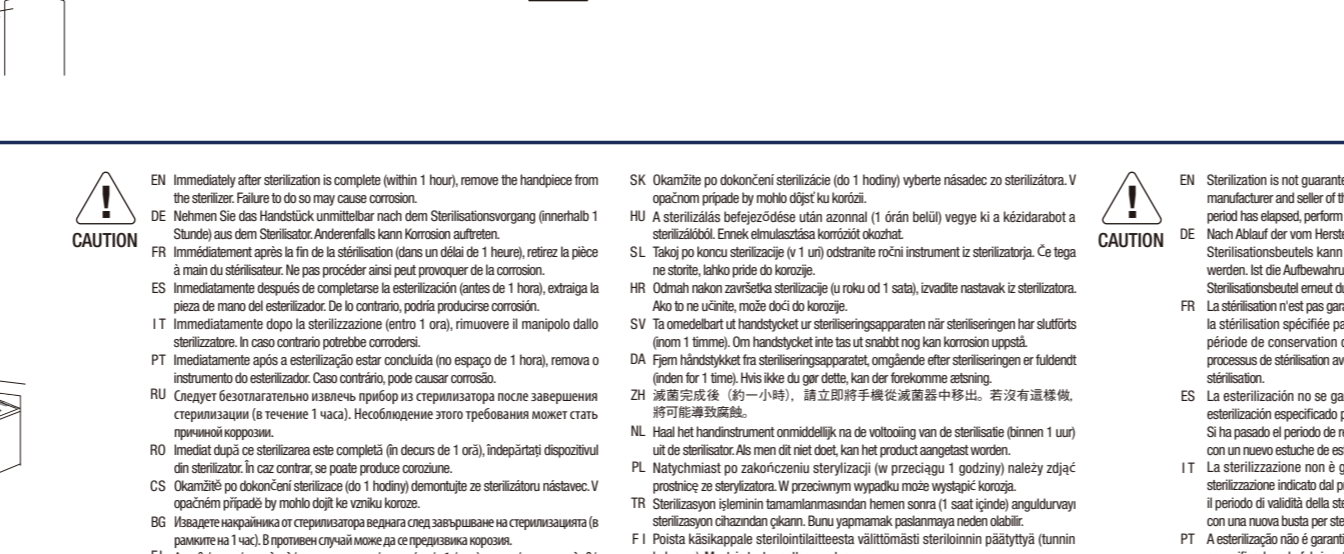
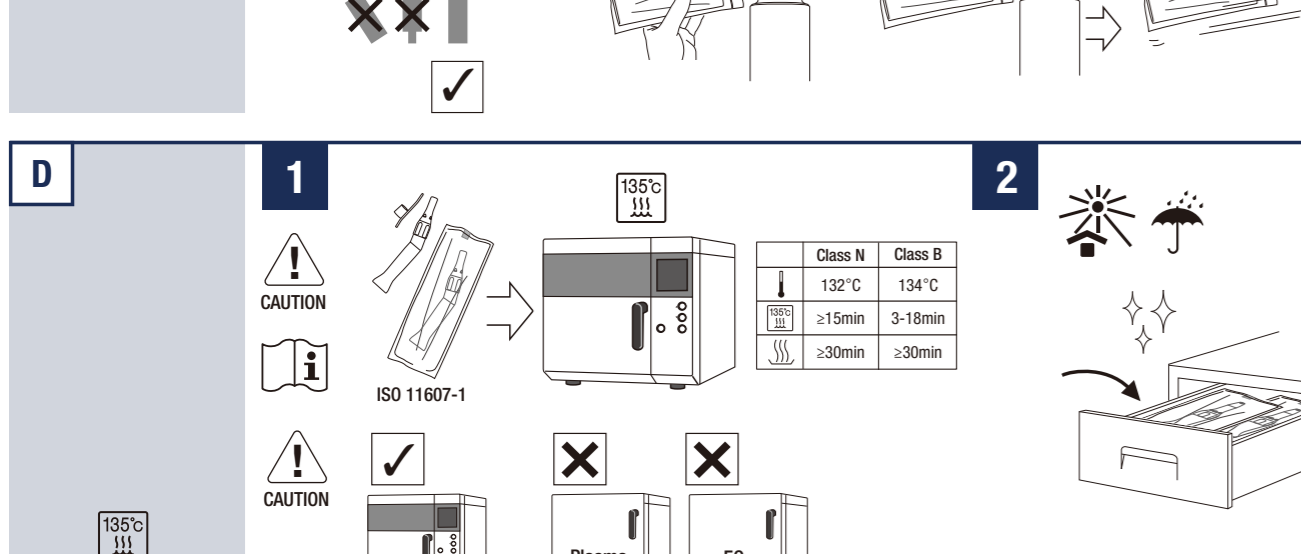
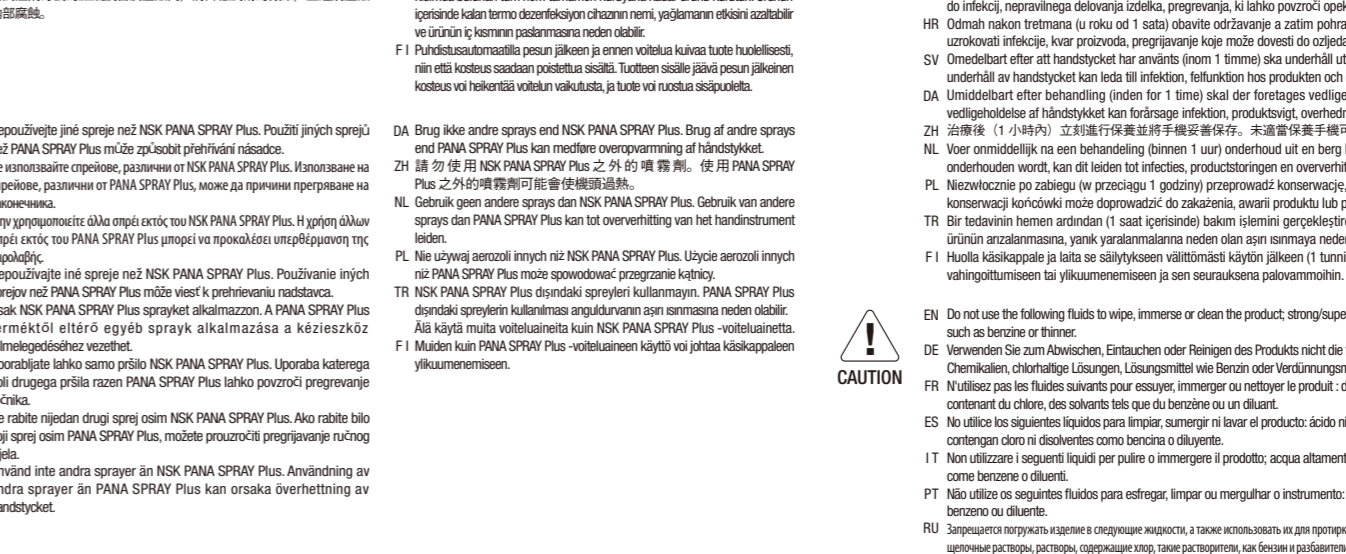
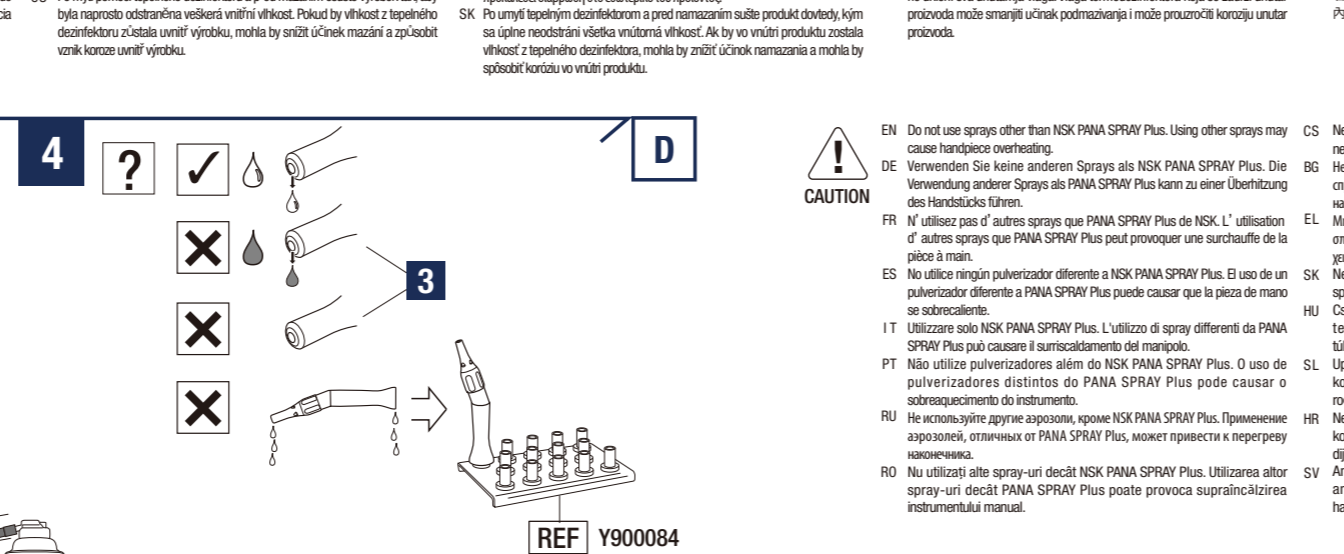
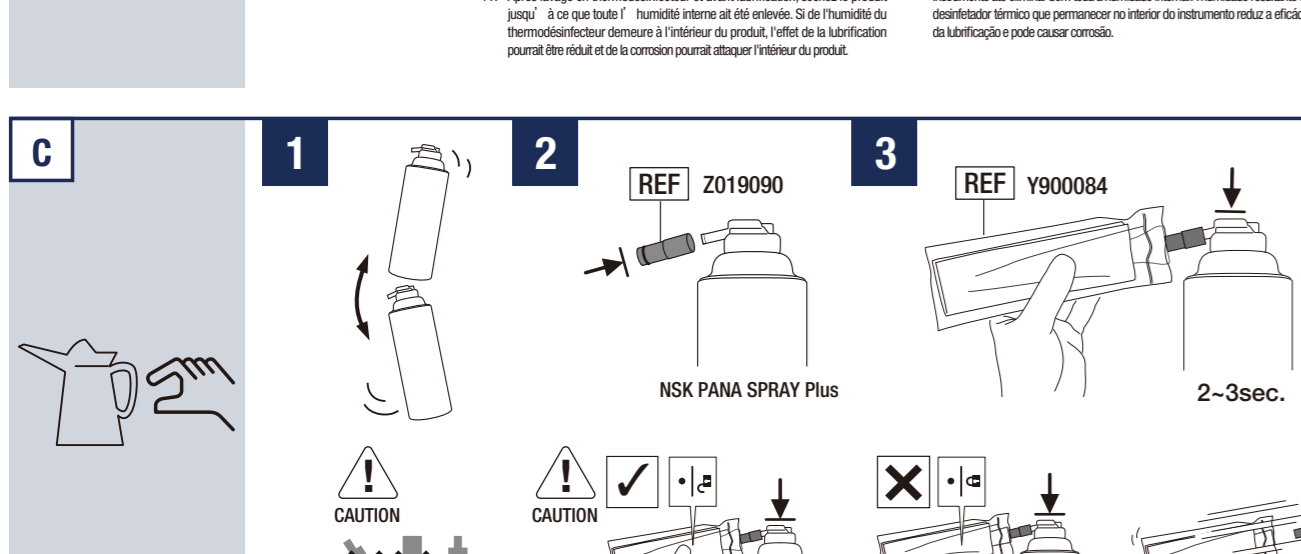
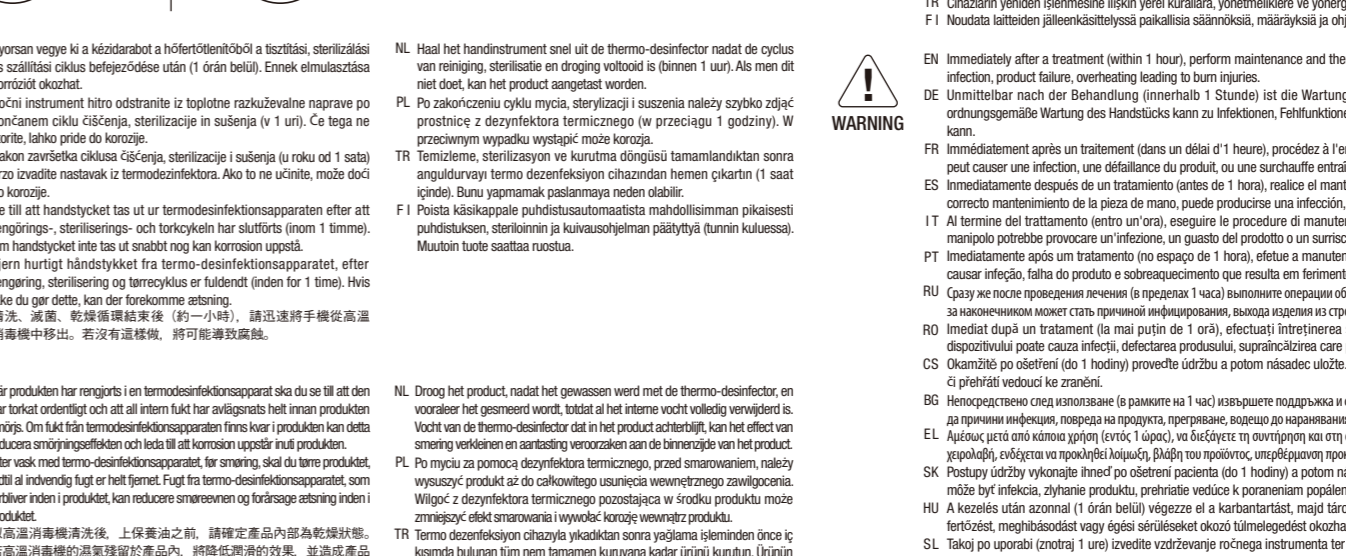
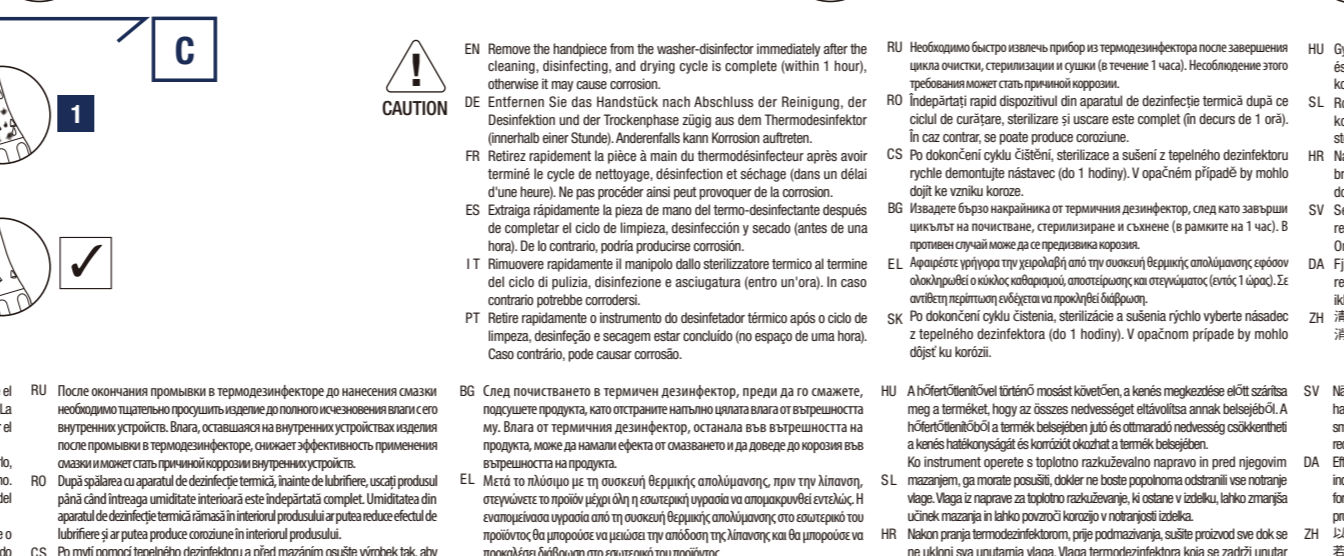
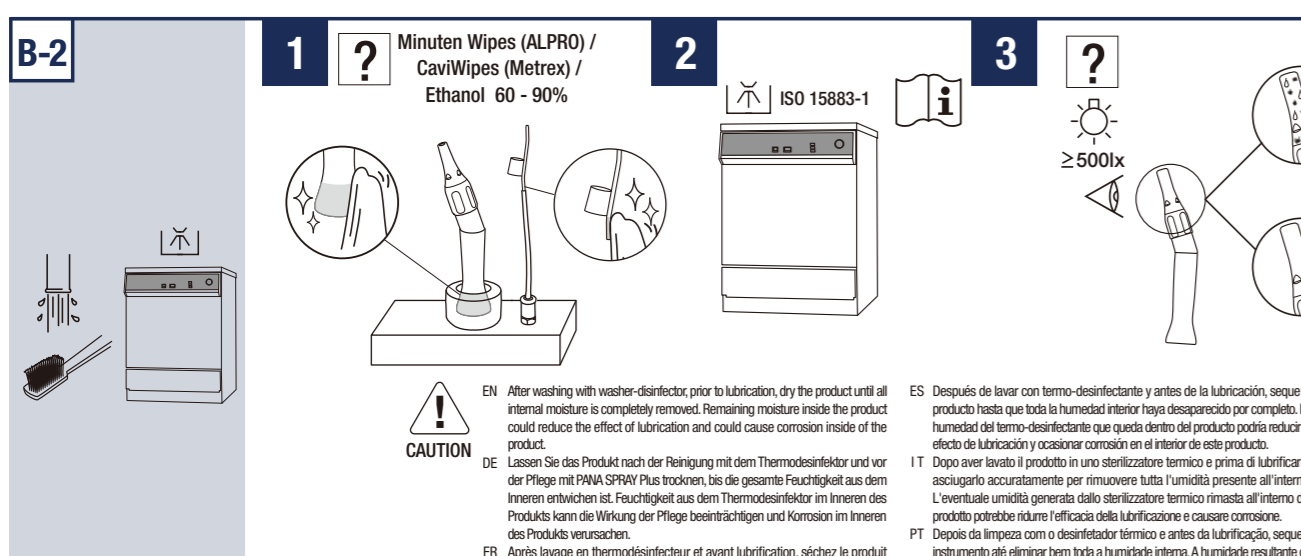
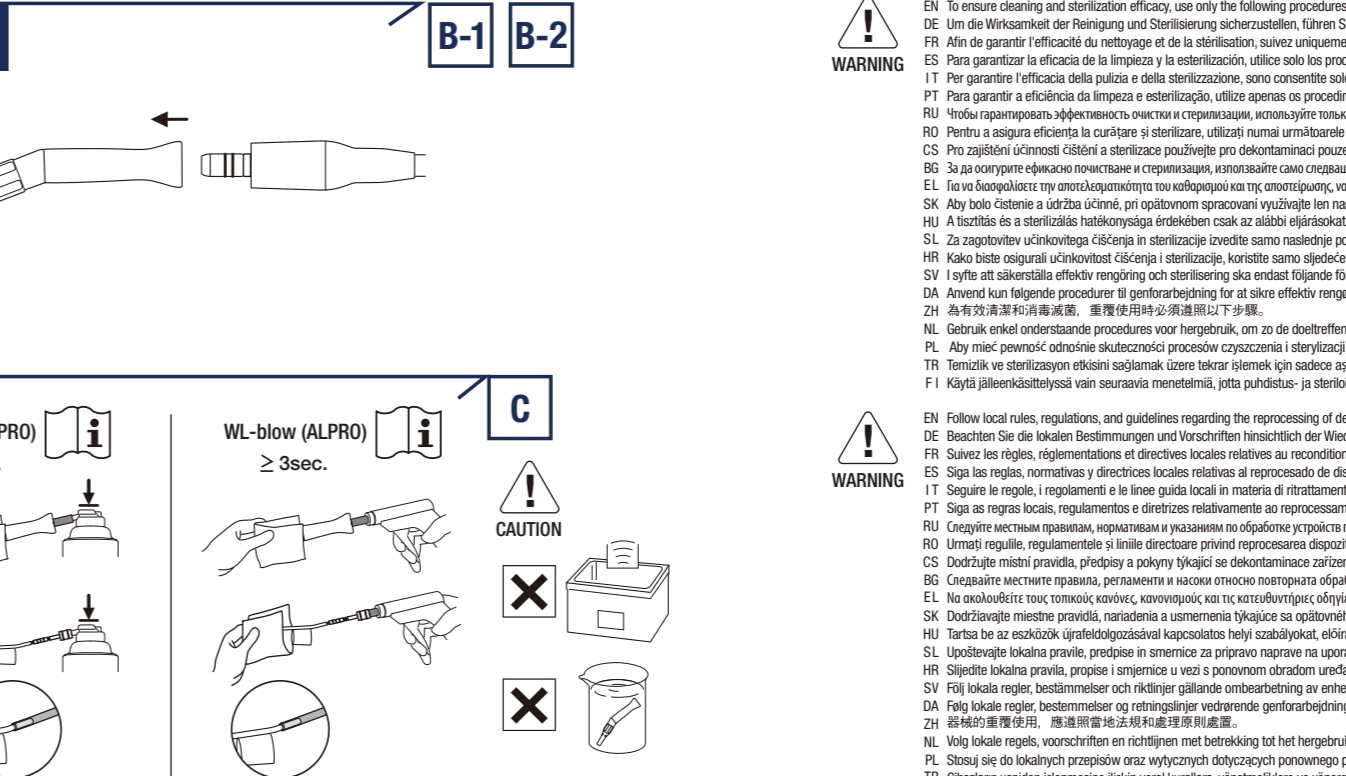
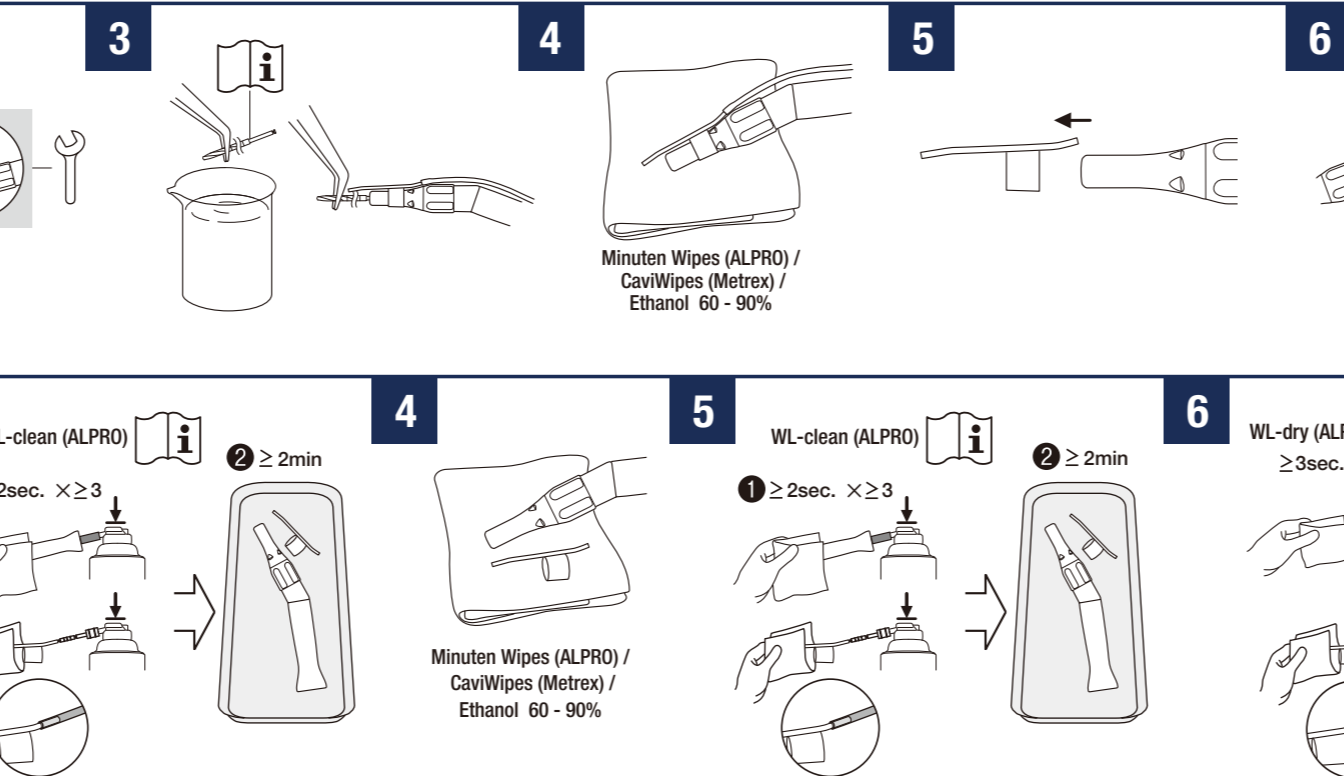
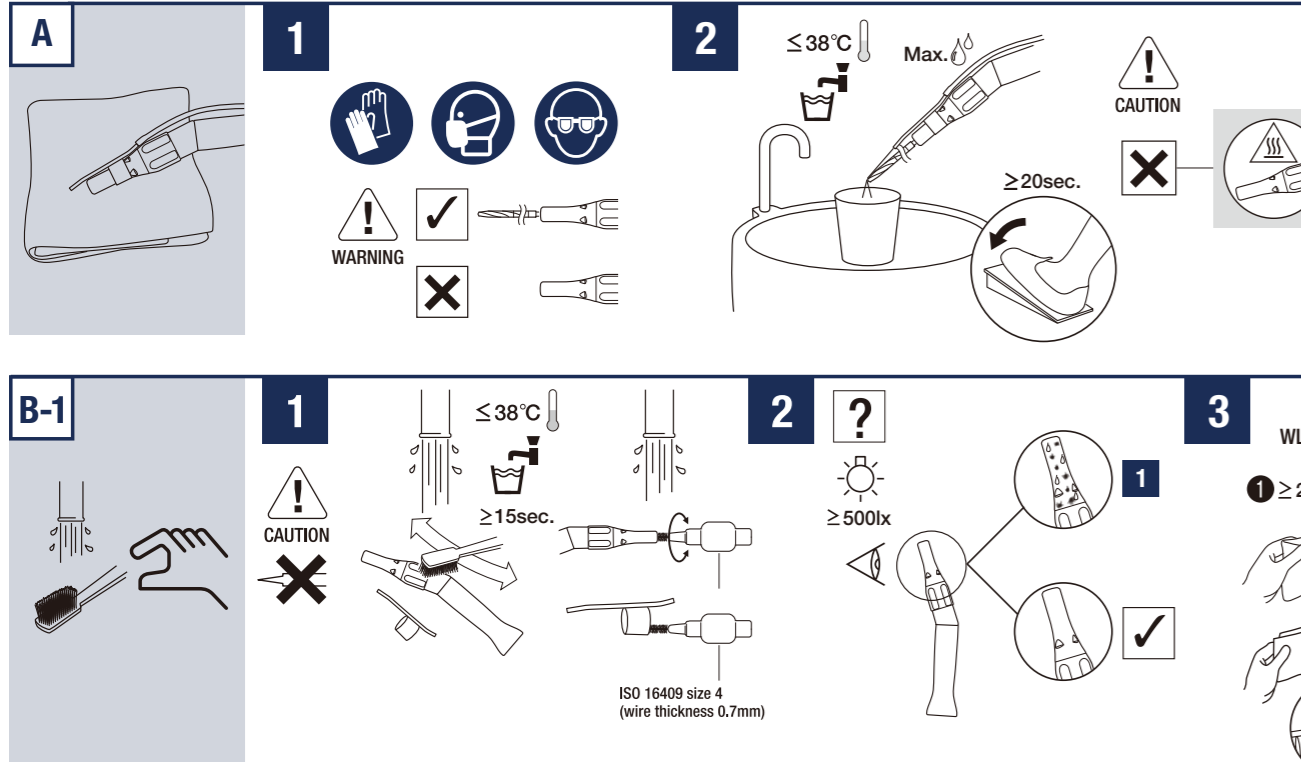
Table with multiple columns containing instructions and warnings in various languages, including diagrams of the device.

Table with multiple columns containing instructions and warnings in various languages, including diagrams of the device.

Table with multiple columns containing instructions and warnings in various languages, including diagrams of the device.

Table with multiple columns containing instructions and warnings in various languages, including diagrams of the device.

Table with multiple columns containing instructions and warnings in various languages, including diagrams of the device.



Model	ISO 2864 / EN ISO 2864 Type 164	Max. (mm)	Min. (mm)	Max. Torque (N·cm)
SSC-E20R	40.00	2.00	20:1 Reduction	10°C
			ISO 1797-1 (EN ISO 1797-1) Type Ø2.35mm Surgical Bur Drill	30%
				75%
				50%
				1000Pa
				10°C
				30%
				75%
				50%
				1000Pa
				10°C
				30%
				75%
				50%
				1000Pa
				10°C
				30%
				75%
				50%
				1000Pa
				10°C
				30%
				75%
				50%
				1000Pa
				10°C
				30%
				75%
				50%
				1000Pa
				10°C
				30%
				75%
				50%
				1000Pa
				10°C
				30%
				75%
				50%
				1000Pa
				10°C
				30%
				75%
				50%
				1000Pa
				10°C
				30%
				75%
				50%
				1000Pa
				10°C
				30%
				75%
				50%
				1000Pa
				10°C
				30%
				75%
				50%
				1000Pa
				10°C
				30%
				75%
				50%
				1000Pa
				10°C
				30%
				75%
				50%
				1000Pa
				10°C
				30%
				75%
				50%
				1000Pa
				10°C
				30%
				75%
				50%
				1000Pa
				10°C
				30%
				75%
				50%
				1000Pa
				10°C
				30%
				75%
				50%
				1000Pa
				10°C
				30%
				75%
				50%
				1000Pa
				10°C
				30%
				75%
				50%
				1000Pa
				10°C
				30%
				75%
				50%
				1000Pa
				10°C
				30%
				75%
				50%
				1000Pa
				10°C
				30%
				75%
				50%
				1000Pa
				10°C
				30%
				75%
				50%
				1000Pa
				10°C
				30%
				75%
				50%
				1000Pa
				10°C
				30%
				75%
				50%
				1000Pa
				10°C
				30%
				75%
				50%
				1000Pa
				10°C
				30%
				75%
				50%
				1000Pa
				10°C
				30%
				75%
				50%
				1000Pa
				10°C
				30%
				75%
				50%
				1000Pa
				10°C
				30%
				75%
				50%
				1000Pa
				10°C
				30%
				75%
				50%
				1000Pa
				10°C
				30%
				75%
				50%
				1000Pa
				10°C
				30%
				75%
				50%
				1000Pa
				10°C
				30%
				75%
				50%
				1000Pa
				10°C
				30%
				75%
				50%
				1000Pa
				10°C
				30%
				75%
				50%
				1000Pa
				10°C
				30%
				75%
				50%
				1000Pa
				10°C
				30%
				75%
				50%
				1000Pa
				10°C
				30%
				75%
				50%
				1000Pa
				10°C
				30%
				75%
				50%
				1000Pa
				10°C
				30%
				75%
				50%
				1000Pa
				10°C
				30%
				75%
				50%
				1000Pa
				10°C
				30%
				75%
				50%
				1000Pa
				10°C
				30%
				75%
				50%
				1000Pa
				10°C
				30%
				75%
				50%
				1000Pa
				10°C
				30%
				75%
				50%
				1000Pa
				10°C
				30%
				75%
				50%
				1000Pa
				10°C
				30%
				75%
				50%
				1000Pa
				10°C
				30%
				75%
				50%
				1000Pa